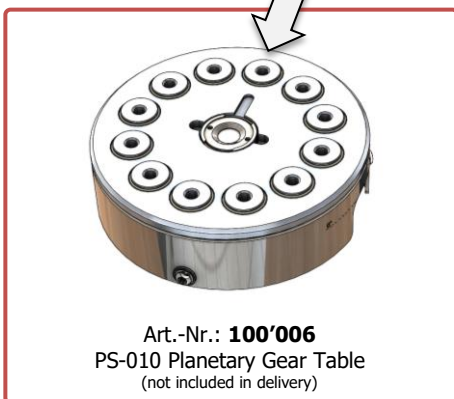
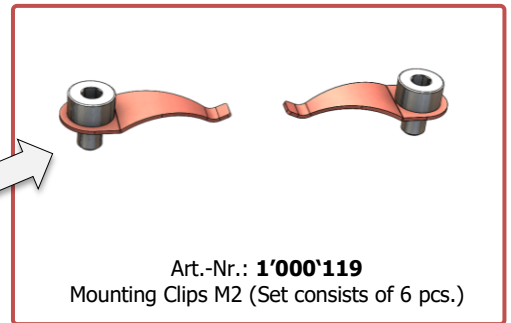
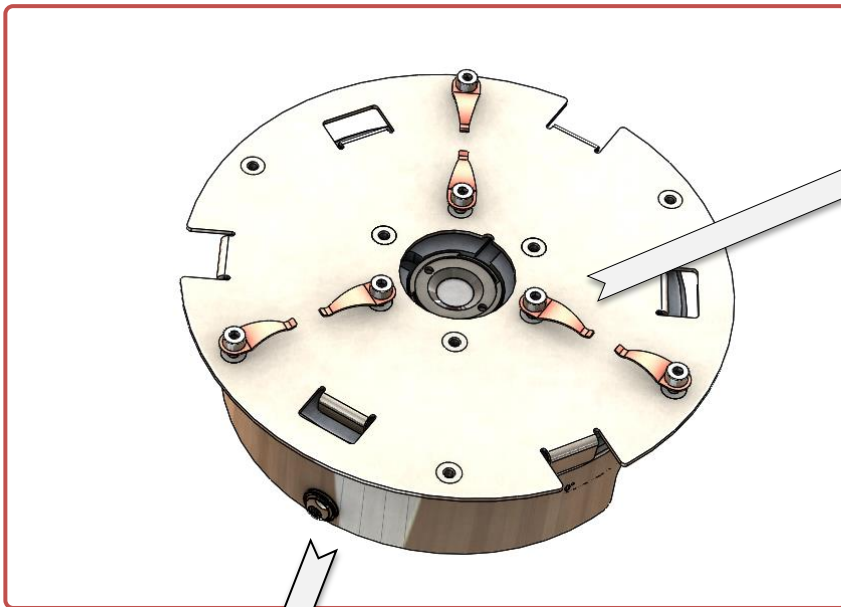




1'000'089 – Rotary Support

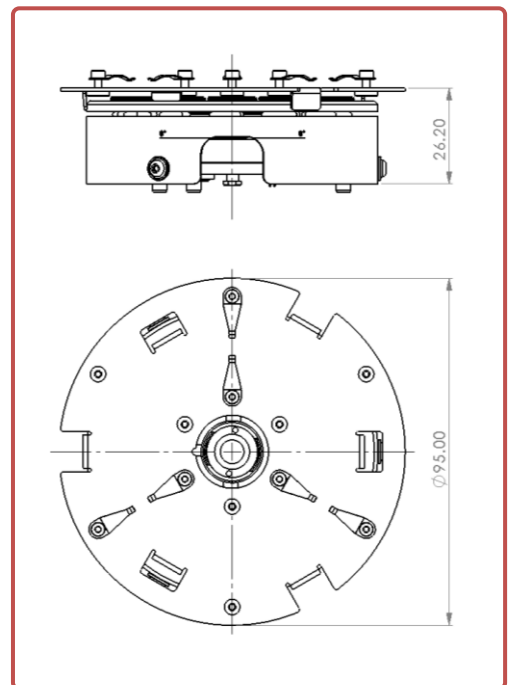
for PS-010 Planetary Gear Table

The Best of two Worlds – The Rotary Support has been developed by safematic engineers to give the PS-010 Planetary Gear Table the additional functionality of a RS-010 Rotary Table.



safematic GmbH
Tardisstrasse 252
CH-7205 Zizers

www.safematic.ch



Flexibility – via the predefined fixing grid, up to 12 standard retaining clips can be used. This allows the mounting of slides in different shapes and sizes.

